

**Slim Duct (9,500 BTU) Indoor Unit  
For Heat-pump Airstage VRF System**

Job Name \_\_\_\_\_  
 Location \_\_\_\_\_  
 Engineer \_\_\_\_\_  
 Submitted To \_\_\_\_\_  
 Submitted By \_\_\_\_\_  
 Reference \_\_\_\_\_

Date \_\_\_\_\_  
 Approval \_\_\_\_\_  
 Construction \_\_\_\_\_  
 Unit No \_\_\_\_\_  
 Drawing No \_\_\_\_\_

**FEATURES**

- Quiet 3-speed fan
- Slim design require small height clearance 9-3/4"
- Adjustable Static pressure from 0 to 0.36 in.WG
- Built-in high-lift drain pump
- Flexible air intake connection (Back or bottom)
- Built-in intake air filter
- Optional Auto louver grille
- Very low power usage
- 10 year Extended Warranty on parts and compressor. See Warranty Statement.



**STATIC PRESSURE**

Static Pressure Range - in.WG [Pa] 0 to 0.36 [0 to 90]  
 Standard Static Pressure - in.WG [Pa] 0.10 [25]

**CAPACITY**

Capacity - Cooling - Btu/h [kW] 9,500 [2.8]  
 Capacity - Heating - Btu/h [kW] 10,900 [3.2]

**PIPING ACCESSORIES**

UTP-AX090A Separation Tube - 2-Pipe - 90 MBH or Less  
 UTP-AX180A Separation Tube - 2-Pipe - 91 to 180 MBH  
 UTP-AX567A Separation Tube - 2-Pipe - 180 MBH or More

**ELECTRICAL**

Power Source 208 / 230V, 1-Phase, 60Hz  
 Available Voltage Range - VAC 187 to 253  
 Input Power - W 50  
 Max Circuit Breaker - A 20  
 Minimum Circuit Ampacity - MCA - A 0.42  
 Fuse - A (V) 5 (250)

**CONTROLLER**

UTY-RNKK Wired Remote Control  
 UTY-RHKU Simple Remote (WITHOUT Master Control) (1/16 units)  
 UTY-LNHU Wireless Remote Controller (requires IR Receiver)

**FAN**

Fan Type 2X (Sirocco)  
 Airflow Rate - High - CFM [m³/h] 353 [600]  
 Airflow Rate - Medium - CFM [m³/h] 324 [550]  
 Airflow Rate - Low - CFM [m³/h] 283 [480]

UTY-DCGY Central Remote Controller (100 units)  
 UTY-DTGYZ1 Touch Panel Controller with Internet (400 units)

**SOUND PRESSURE**

Sound Pressure Level - dB(A) 24/26/29

**ACCESSORIES**

#N/A #N/A  
 UTD-GXSA-W Auto Louver Grille for Slim Duct  
 UTY-TEKX External Switch Controller. Use with 3-Wire remotes only.  
 UTY-XSZX Remote Sensor for ducted units

**WIRING**

Communication Cable LonWorks (Fujitsu Pink Cable. See AE Bulletin 009)

**WEIGHT AND DIMENSIONS**

Enclosure - Net Weight - lbs [kg] 40 [18]  
 Enclosure - Gross Weight - lbs [kg] 53 [24]  
 Dimensions - Net (H x W x D) - in [mm] 7-13/16 x 27-9/16 x 24-7/16 [198 x 700 x 620]  
 Dimensions - Gross (H x W x D) - in [mm] 10-7/8 x 38-1/8 x 30-3/8 [276 x 968 x 772]

**PIPING**

Connection Pipe Diameter - Liquid (Flare) - in [mm] ø 1/4 [6.35]  
 Connection Pipe Diameter - Gas (Flare) - in [mm] ø 1/2 [12.70]  
 Connection Pipe Diameter - Drain (ID; OD) - in [mm] ø 3/4 [19.05]  
 Drain-Pump Built-in  
 Drain-Pump Lift - in [mm] 33 7/16 [850]

**ETL**

E.T.L. 91987

**TEMPERATURE SETTINGS**

Operating Temp. Cooling (DB) - °F [°C] 64 to 90 [18 to 32]  
 Operating Temp. Heating (DB) - °F [°C] 50 to 86 [10 to 30]

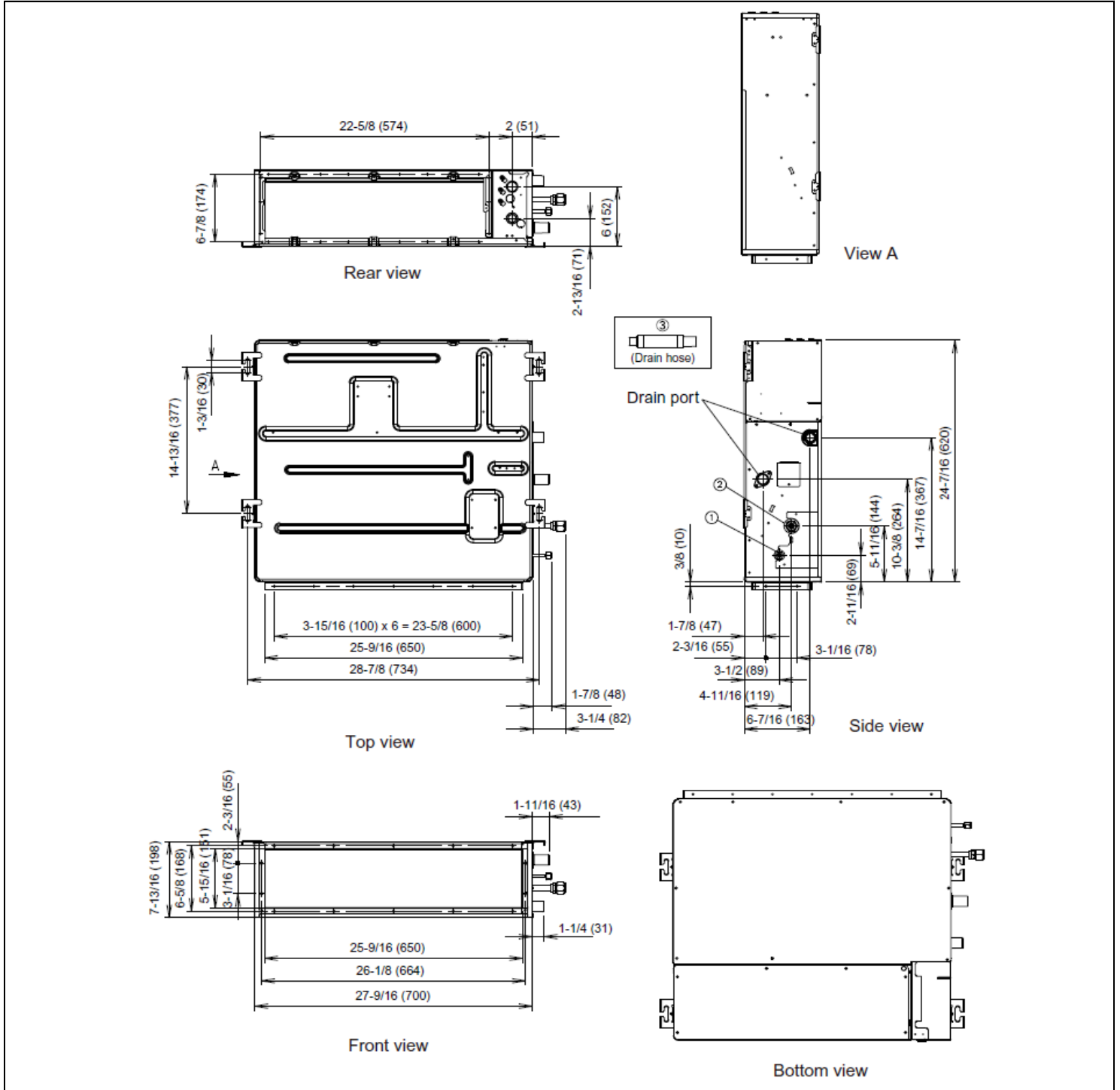
Note: Specifications are based on the following conditions:  
 Cooling: Indoor temperature of 80°F (26.7°C) DB/67°F (19.4°C) WB, and outdoor temperature of 95°F (35°C) DB/75°F (23.9°C) WB. Heating: Indoor temperature of 70°F (21.1°C) DB/60°F (15.6°C) WB, and outdoor temperature of 47°F (8.3°C) DB/43°F (6.1°C) WB. Pipe length: 25ft. (7.5m), Height difference: 0ft. (0m) (Outdoor unit - indoor unit).



Slim Duct (9,500 BTU) Indoor Unit  
For Heat-pump Airstage VRF System

DIMENSIONS

Unit: In. (mm)



Fujitsu General America, Inc.  
 353 Route 46 West  
 Fairfield, NJ 07004  
 Toll Free: (888) 888-3424  
 Fax: (973) 836-0453  
 www.airstagevrf.com