

## Dedicated Outside Air System (DOAS) (96,000 BTU) Indoor Unit For Heat-recovery Airstage VRF System

Job Name \_\_\_\_\_  
 Location \_\_\_\_\_  
 Engineer \_\_\_\_\_  
 Submitted To \_\_\_\_\_  
 Submitted By \_\_\_\_\_  
 Reference \_\_\_\_\_

Date \_\_\_\_\_  
 Approval \_\_\_\_\_  
 Construction \_\_\_\_\_  
 Unit No \_\_\_\_\_  
 Drawing No \_\_\_\_\_

### FEATURES

- Quiet and powerful fan design
- Compact design to fit in a small space
- Very low power usage
- Fan speed can be adjusted using dip switch settings.\*
- Auxiliary heat operation capability
- 10 year Extended Warranty on parts and compressor. See Warranty Statement.



### STATIC PRESSURE

Static Pressure Range - in.WG [Pa]	0.20 to 0.96 [50 to 240]
Standard Static Pressure - in.WG [Pa]	0.80 [200]

### CAPACITY

Capacity - Cooling - Btu/h [kW]	96,000 [28.0]
Capacity - Heating - Btu/h [kW]	59,000 [17.4]

### PIPING ACCESSORIES

UTP-AX090A	Separation Tube - 2-Pipe - 90 MBH or Less
UTP-AX180A	Separation Tube - 2-Pipe - 91 to 180 MBH
UTP-AX567A	Separation Tube - 2-Pipe - 180 MBH or More

### ELECTRICAL

Power Source	208 / 230V, 1-Phase, 60Hz
Available Voltage Range - VAC	187 to 253
Input Power - W	370
Max Circuit Breaker - A	15
Minimum Circuit Ampacity - MCA - A	3.35

### FAN

Fan Type	Sirocco
Airflow Rate - High - CFM [m <sup>3</sup> /h]	1236 [2100]
Airflow Rate - Medium - CFM [m <sup>3</sup> /h]	927 [1575]*
Airflow Rate - Low - CFM [m <sup>3</sup> /h]	618 [1050]*

### SOUND PRESSURE

Sound Pressure Level - dB(A)	47
------------------------------	----

### ACCESSORIES

#N/A	#N/A
------	------

### WIRING

Communication Cable	LonWorks (Fujitsu Pink Cable. See AE Bulletin 009)
---------------------	--

### PIPING

Connection Pipe Diameter - Liquid (Flare) - in [mm]	ø 1/2 [12.70]
Connection Pipe Diameter - Gas (Flare) - in [mm]	ø 7/8 [22.22]
Connection Pipe Diameter - Drain (ID; OD) - in [mm]	ø 3/4 [19.05]
Drain-Pump	Optional

### WEIGHT AND DIMENSIONS

Enclosure - Net Weight - lbs [kg]	159 [72]
Enclosure - Gross Weight - lbs [kg]	194 [88]
Dimensions - Net (H x W x D) - in [mm]	17-11/16 x 62-5/16 x 27-9/16 [450 x 1583 x 700]
Dimensions - Gross (H x W x D) - in [mm]	20-1/2 x 68-11/16 x 32-1/8 [520 x 1745 x 823]

### ETL

E.T.L.	91987
--------	-------

### TEMPERATURE SETTINGS

Operating Temp. Cooling (DB) - °F [°C]	64 to 109 [18 to 43]
Operating Temp. Heating (DB) - °F [°C]	19 to 70 [-7 to 21]

Note: Specifications are based on the following conditions:  
 Cooling: Indoor temperature of 80°F (26.7°C) DB/67°F (19.4°C) WB, and outdoor temperature of 95°F (35°C) DB/75°F (23.9°C) WB. Heating: Indoor temperature of 70°F (21.1°C) DB/60°F (15.6°C) WB, and outdoor temperature of 47°F (8.3°C) DB/43°F (6.1°C) WB. Pipe length: 25ft. (7.5m), Height difference: 0ft. (0m) (Outdoor unit - indoor unit).

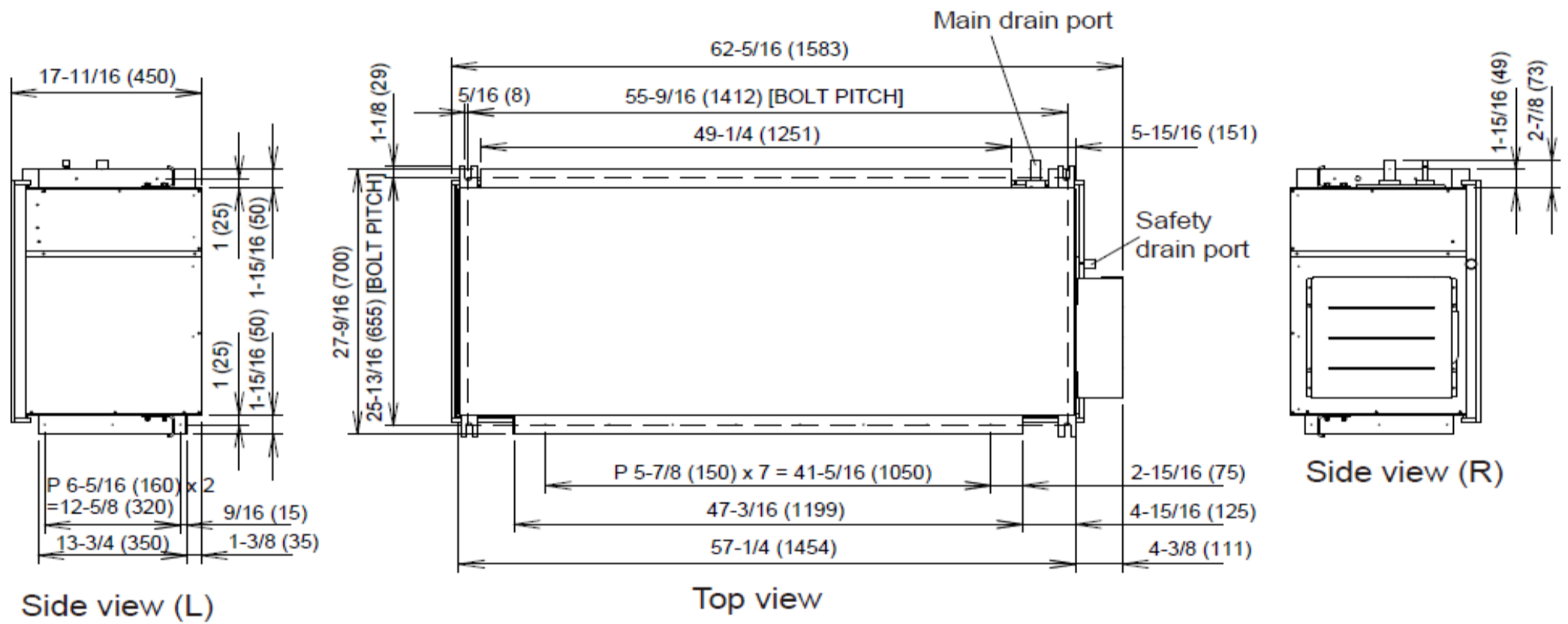
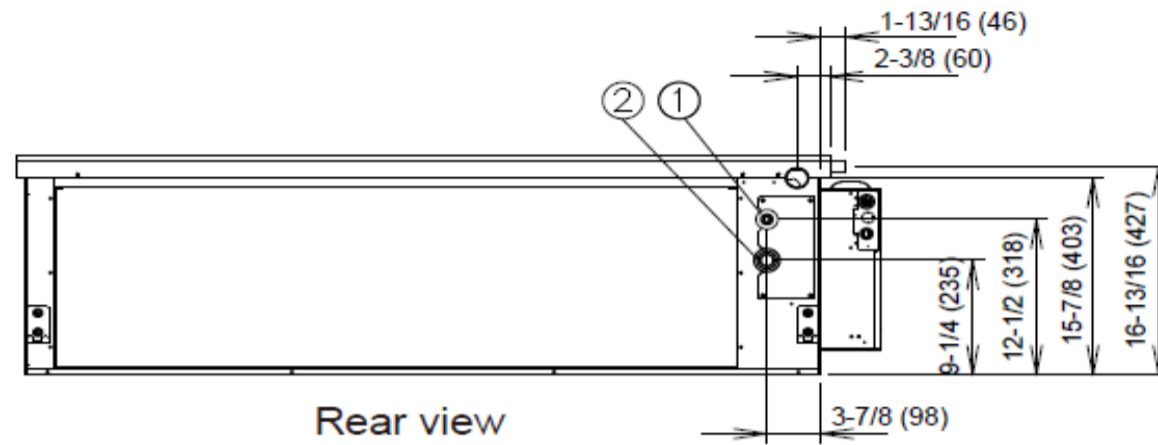


Fujitsu General America, Inc.  
 353 Route 46 West  
 Fairfield, NJ 07004  
 Toll Free: (888) 888-3424  
 Fax: (973) 836-0453  
 www.airstagevrf.com

Dedicated Outside Air System (DOAS) (96,000 BTU) Indoor Unit  
For Heat-recovery Airstage VRF System

DIMENSIONS

Unit: In. (mm)



Side view (L)

Side view (R)

Top view

